

450nm 1.6W Laser Module

Specification of JCP45160Z-001

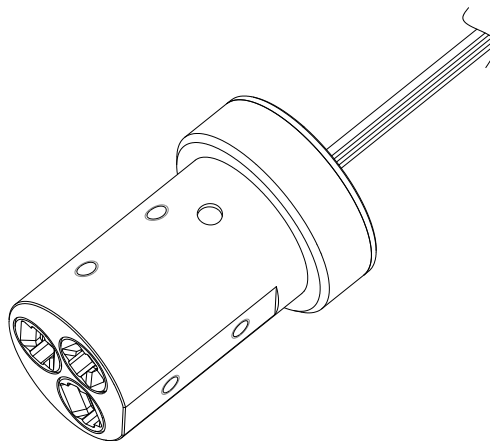
Features:

- Power: 1.6W
- Blue Laser: 450-460nm
- Working Voltage: 12V

Application

- 3D Machine Vision

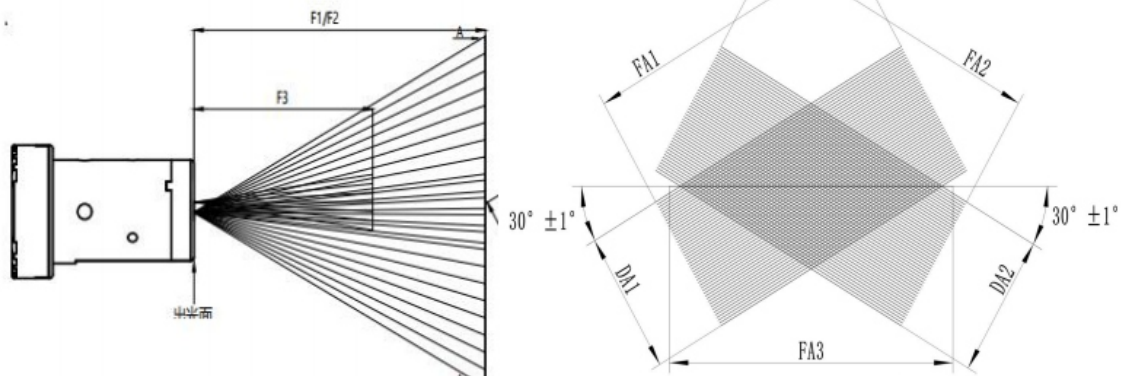
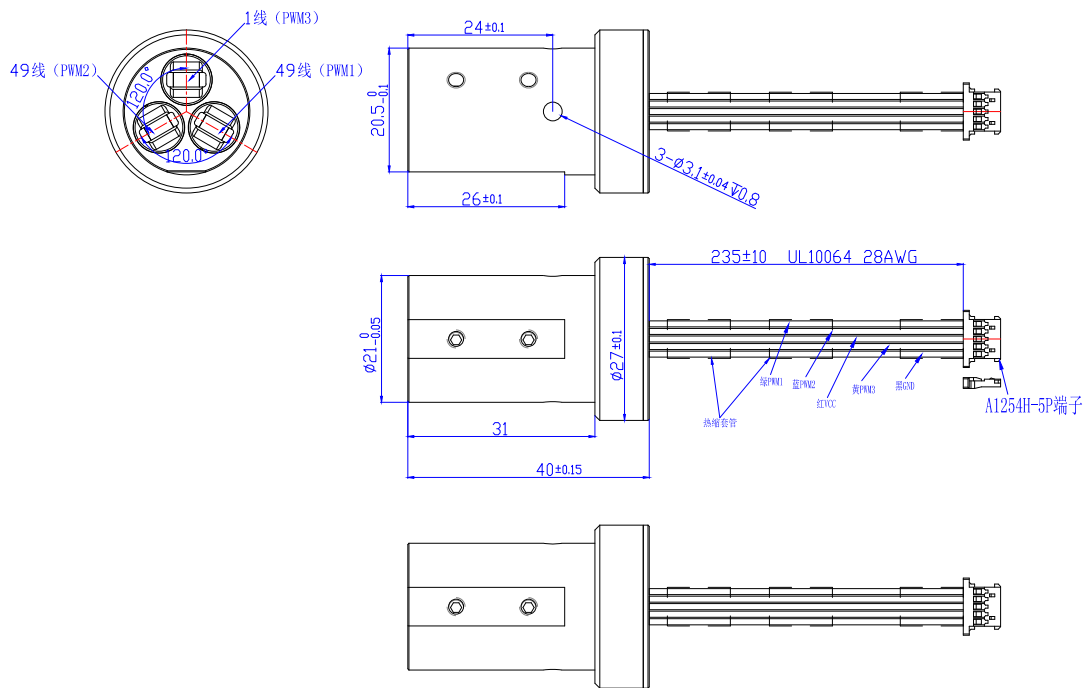
Appearance



450nm 1.6W Laser Module

Specification of JCP45160Z-001

Dimensions:



450nm1.6W Laser Module

Specification of JCP45160Z-001

(49*49+1)

Item	Symbol	Min	Typ	Max	Unit	Remarks
Wavelength	λ_p	440	450	460	nm	
Power	Po	-	-	1.6	W	
Voltage1/2/3	Vop	-	12	-	V	
Current 1/2/	Iop	-	1200	-	mA	49 Lines
Focus position1/2		290	300	310	mm	49 Lines
Fan angle1/2/	\angle	52	55	58	°	49 Lines
DA1/2/		-	22.5	-	°	49 Lines
Line Width1/2/		-	0.2	-	mm	49 Lines@300mm
Focus depth1/2/		-	-	0.8	mm	49 Lines@150-500mm
Current3	Iop	-	100	-	mA	1 Line
Focus position 3		290	300	310	mm	1 Line
Fan angle 3	\angle	52	55	58	°	1 Line
DA 3		-	-	-	°	1
Line Width 3		-	0.2	-	mm	1 line@300mm
Focus depth3		-	-	0.8	mm	1 line@150-500mm
Uniformity		70%	-	-		
Linearity		-	-	0.1%		Center Line
Directivity deviation		-	-	5	mrad	
Working Temp		0	-	40	°C	
Storage Temp		-40	-	70	°C	
Working humidity		0	-	90%	rh	
Lifetime		8000	-	10000	h	25°C Housing Temp

1. Drive mode: ACC constant current drive.
2. Adjustment mode: PWM control, modulation frequency 100KHz, duty cycle 0-100%.

450nm1.6W Laser Module

Specification of JCP45160Z-001

BU-LASER's special reminder: Please pay attention to electrostatic protection during transportation and use of laser products, and please do not exceed the maximum value in the application, so as to avoid the rapid aging of the laser.

BU-LASER does not grant any license to any of our product patents or any third-party patents, copyrights, trademarks, or other intellectual property rights contained in this document. Regarding the third-party rights related to the use of the information contained in this document (including knowledge property rights), BU-LASER may not bear any responsibility for possible problems. Products and product specifications are subject to change without notice. Please confirm the latest product specifications before the final design or purchase.

BU-LASER makes every effort to ensure the high quality and reliability of our products. However, when using this product, such as in aviation, aerospace, nuclear power, combustion control, transportation, traffic safety equipment, or medical equipment used for life support, etc., that require particularly high quality and reliability, or in its failure or If the malfunction may directly threaten human life or cause physical injury, please contact our sales department. When you design product applications, please pay attention to use within the allowable range. Especially the maximum rating, working voltage, current range, heat radiation characteristics, installation conditions, and other characteristics. BU-LASER shall not be held responsible for any malfunction or damage when used beyond the guaranteed scope. Even within the guaranteed range, considering the generally foreseeable failure rate or failure mode in semiconductor devices, please adopt system measures, such as fail-safe, TVS diode, etc. to protect the laser tube.

The laser will cause direct or indirect damage to the human body, especially the eyes. If you need to observe the laser, please use an ultraviolet camera to observe it.