

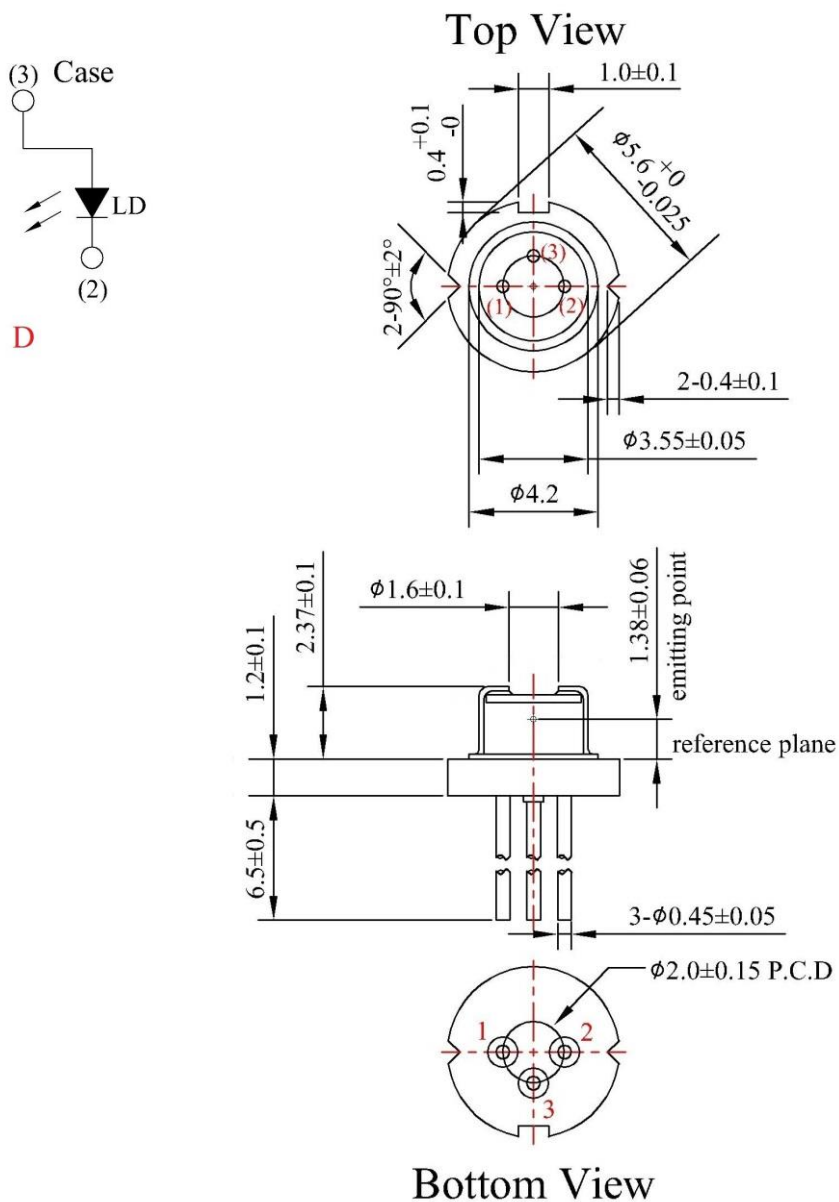
Features

1. Low operation current
2. High reliability
3. Standard optical power output : 20mW (CW)
4. TO-56 (ϕ 5.6mm) Package, with Pb-free window cap.

Applications

1. Medical application

External dimensions(Unit : mm)



Absolute Maximum Ratings

Parameter	Symbol	Rating	Unit
Optical Output (Tc=25°C)	Po	30	mW
LD Reverse Voltage (Tc=25°C)	Vr_LD	2	V
PD Reverse Voltage (Tc=25°C)	Vr_PD	30	V
Operating Temperature (Case)	Top	-10~+70	°C
Storage Temperature	Tstg	-40~+85	°C

Electrical and Optical Characteristics(Tc=25°C)

Parameter	Symbol	Condition	Min.	Typ.	Max.	Unit	
Threshold Current	Ith	Po=1-5mW	-	10.5	-	mA	
Operating Current	Iop	Po=20mW	-	35	55	mA	
Operating Voltage	Vop	Po=20mW	-	1.3	-	V	
Slope Efficiency	η	Po=5-15mW	-	0.8	-	mW/mA	
Beam Divergence (FWHM)	Parallel	$\theta_{//}$	Po=20mW	-	10	-	deg.
	Perpendicular	θ_{\perp}	Po=20mW	-	32	-	deg.
Lasing Wavelength	λ	Po=20mW	1050	-	1075	nm	

© $\theta_{//}$ and θ_{\perp} are defined as the angle within which the intensity is 50% of the peak value.

Quality Notice

This device is still under product development, the long-term lifetime test has not been qualified yet.